

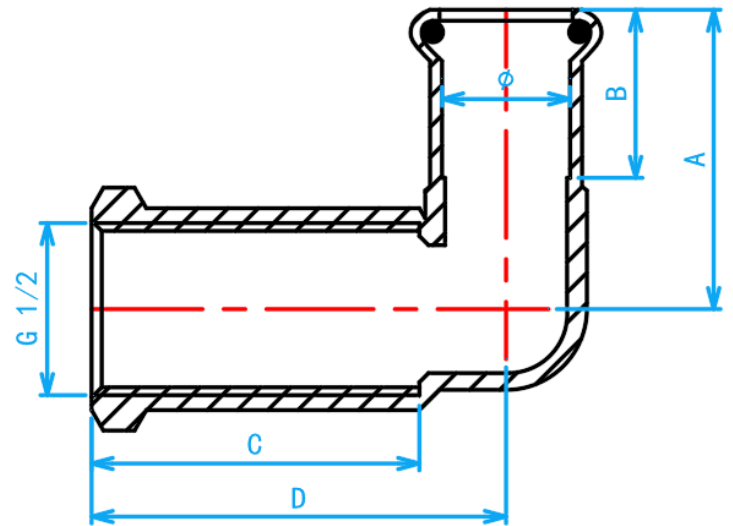
DZR BRASS PRESS FIT FITTINGS



A Product of the nPressGuard[®] Solution

COMPLY WITH BSEN1254-2:1998

FI ELBOW LONG



CROSS SECTIONAL VIEW

DIMENSIONS

SKU	∅ (mm)	A (mm)	B (mm)	C [mm]	D [mm]	WEIGHT (Kg)	PCS/CTN
PFNFIE015L	15.4	35	20.0	35.9	46.2	0.101	200